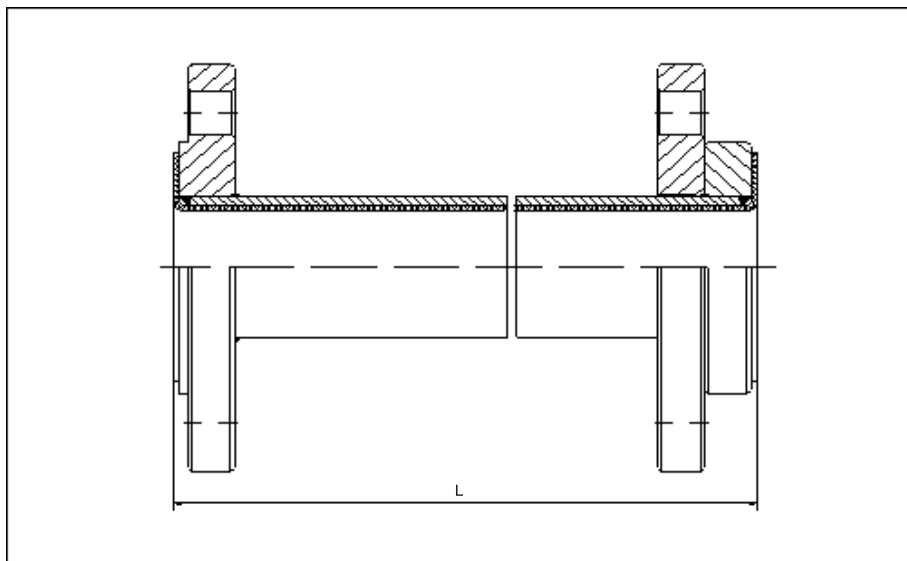


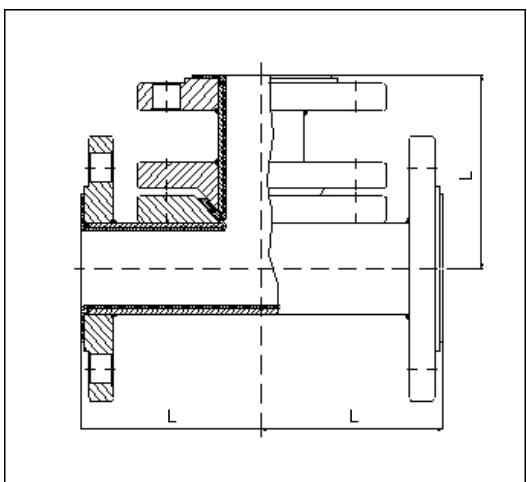
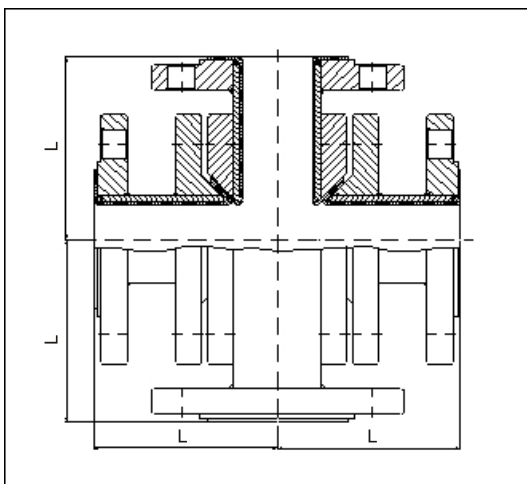
## ТРЪБНИ ТЕФЛОНИЗИРАНИ ИЗОМЕТРИИ ПАТРУБКИ



### ОСНОВНИ РАЗМЕРИ (мм)

D	L <sub>max</sub>	b
20	5000 mm	2,0 mm
25	5000 mm	2,0 mm
32	5000 mm	2,0 mm
40	5000 mm	2,0 mm
50	5000 mm	2,0 mm
65	5000 mm	2,0 mm
80	5000 mm	2,0 mm
100	4000 mm	2,5 mm
125	3000 mm	3,0 mm
150	3000 mm	3,5 mm
200	3000 mm	4,0 mm
250	3000 mm	4,0 mm
300	3000 mm	5,0 mm
350	3000 mm	6,0 mm
400	3000 mm	

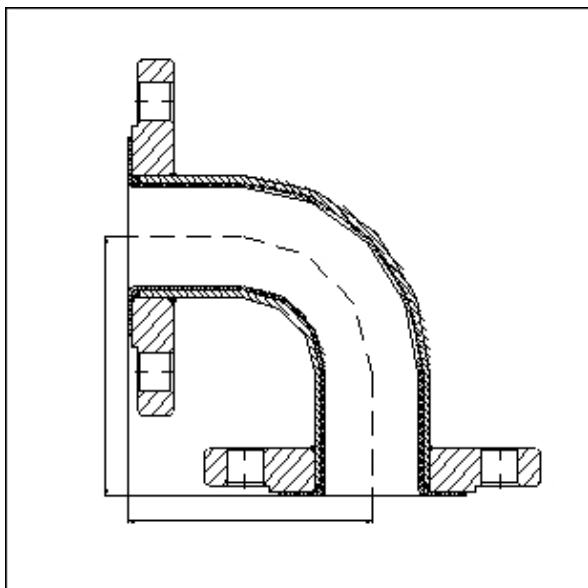
## ТРОЙНИЦИ И ЧЕТВОРНИЦИ



### ОСНОВНИ РАЗМЕРИ (мм)

D	DIN		ASA	
	D	L	D	L
20	95 mm			
25	110 mm	1"	89 mm	
32	130 mm	1 1/4"	95 mm	
40	150 mm	1 1/2"	102 mm	
50	120 mm		114 mm	
65	140 mm	2 1/2"	127 mm	
80	165 mm	3"	140 mm	
100	205 mm	4"	165 mm	
125	245 mm	5"	190 mm	
150	285 mm	6"	203 mm	
200	365 mm	8"	229 mm	
250	450 mm	10"	279 mm	
300	525 mm	12"	305 mm	
350	600 mm	14"	356 mm	
400	680 mm	16"	381 mm	

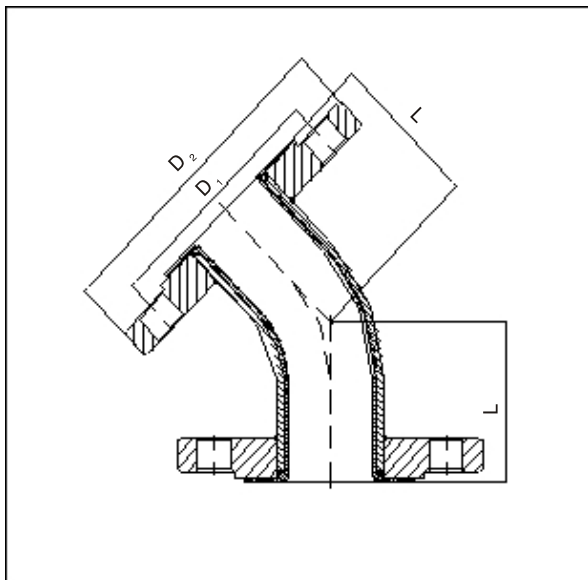
## ТЕФЛОНИЗИРАНИ ОТВЪТРЕ ТРЪБНИ ИЗОМЕТРИИ КОЛЕНА



L

L

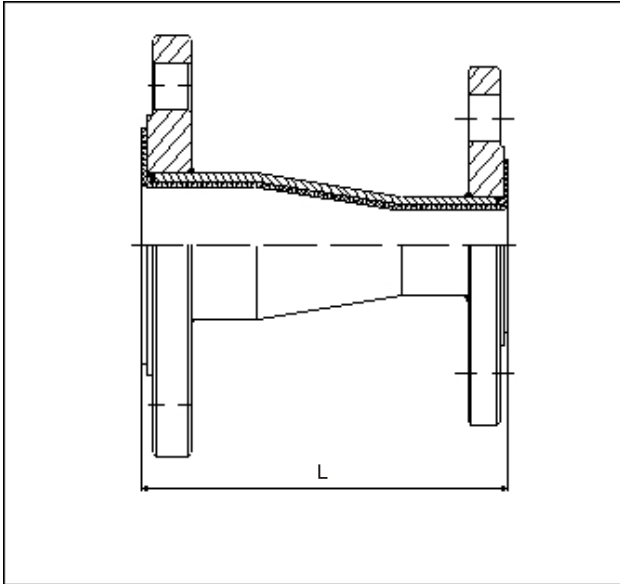
DIN		ASA	
D	L	D	L
20	95 mm		
25	110 mm	1"	89 mm
32	130 mm	1 1/4"	95 mm
40	150 mm	1 1/2"	102 mm
50	120 mm	2"	114 mm
65	140 mm	2 1/2"	127 mm
80	165 mm	3"	140 mm
100	205 mm	4"	165 mm
125	245 mm	5"	190 mm
150	285 mm	6"	203 mm
200	365 mm	8"	229 mm
250	450 mm	10"	279 mm
300	525 mm	12"	305 mm
350	600 mm	14"	356 mm
400	680 mm	16"	381 mm



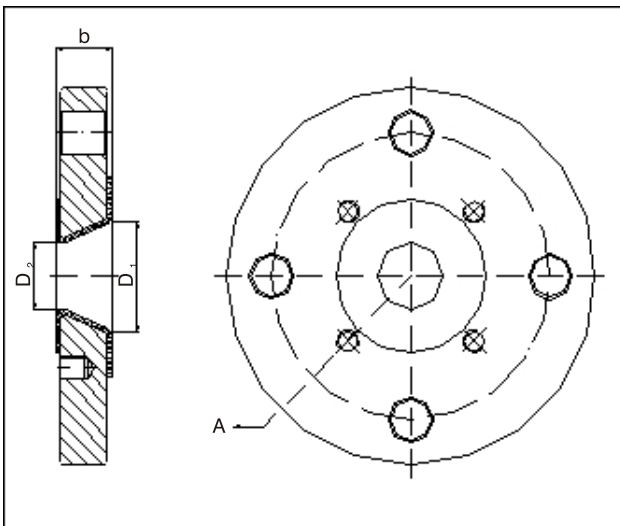
DIN

ASA

DIN		ASA	
D	L	D	L
20	60 mm		
25	70 mm	1"	45 mm
32	80 mm	1 1/4"	51 mm
40	90 mm	1 1/2"	57 mm
50	80 mm	2"	63 mm
65	85 mm	2 1/2"	76 mm
80	100 mm	3"	76 mm
100	115 mm	4"	102 mm
125	135 mm	5"	114 mm
150	150 mm	6"	127 mm
200	190 mm	8"	140 mm
250	225 mm	10"	165 mm
300	260 mm	12"	190 mm
350	290 mm	14"	190 mm
400	325 mm	16"	203 mm



D	L (mm)	D	L (mm)	D	L (mm)
25-20	125	80-65	190	250-150	305
32-20	130	100-50	200	250-200	310
32-25	130	100-65	200	300-150	330
40-20	145	100-80	205	300-200	335
40-25	145	125-65	230	300-250	340
40-32	150	125-80	235	350-200	465
50-25	160	125-100	235	350-250	465
50-32	165	150-80	250	350-300	465
50-40	165	150-100	250	400-250	495
65-32	180	150-125	250	400-300	495
65-40	180	200-100	270	400-350	495
65-50	185	200-125	270		
80-40	185	200-150	270		
80-50	190	250-125	305		



D	b	D	b	D	b
25-20	25	80-65	30	250-150	35
32-20	25	100-50	30	250-200	35
32-25	25	100-65	30	300-150	40
40-20	25	100-80	30	300-200	40
40-25	25	125-65	30	300-250	40
40-32	25	125-80	30	350-200	40
50-25	25	125-100	30	350-250	40
50-32	25	150-80	35	400-250	40
50-40	25	150-100	35	400-300	40
65-32	30	150-125	35		
65-40	30	200-100	35		
65-50	30	200-125	35		
80-40	30	200-150	35		
80-50	30	250-125	35		